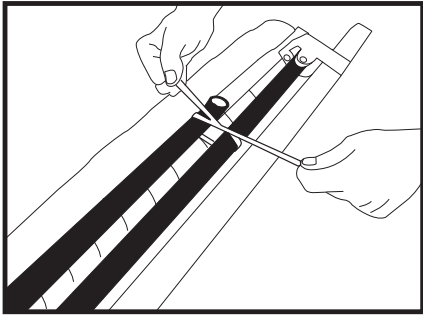
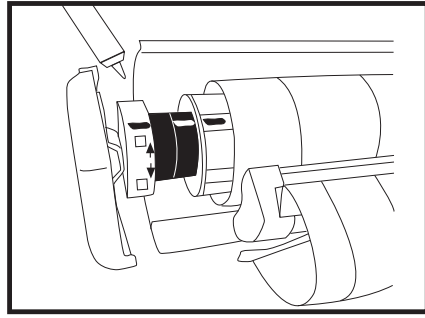


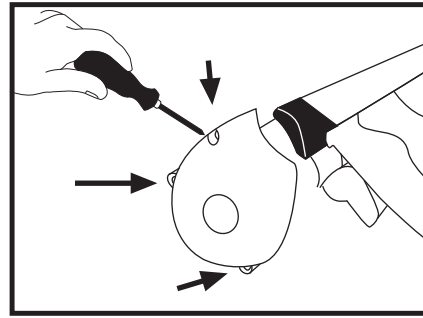
## Replacing Awning Fabric Cover Instructions: (Electric Awnings)



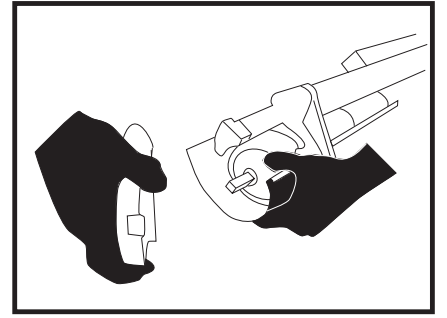
1. Tie awning arms together so they won't get in the way when replacing the fabric.



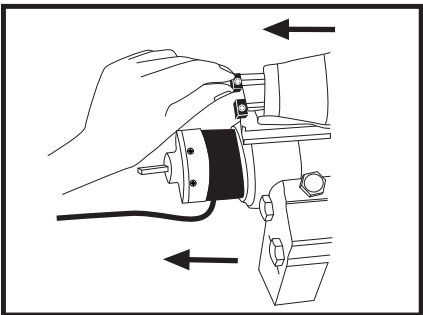
2. Use a pen, mark a straight line for reference: the lid, motor and roller. This is to make sure the awning is installed in an exactly the same position.



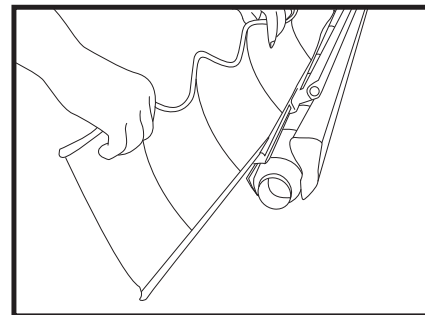
3. Remove the three screws located at side awning (lid). NOTE: usually hidden under a sticker.



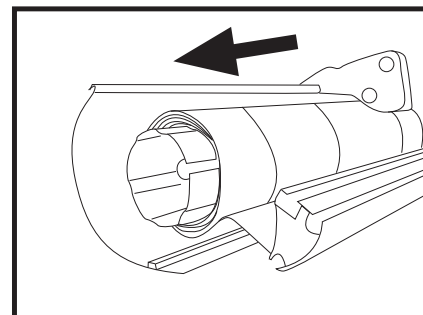
4. Remove the metal lid.



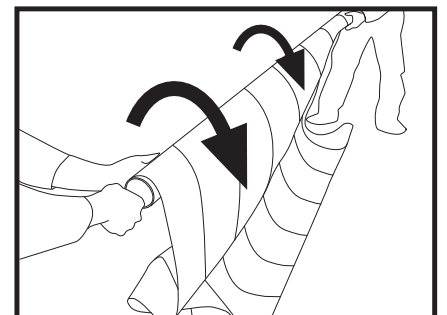
5. Slide both screw bungs out. Now slide the tubular motor out. Keep them in a safe place, you will need these later on.



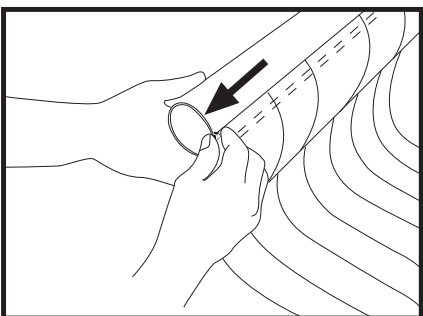
6. Slide the valance out of the valance bar.



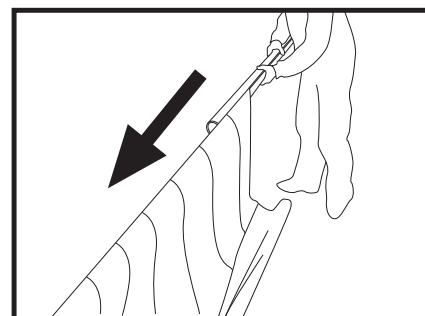
7. Slide the fabric roller out of the frame.



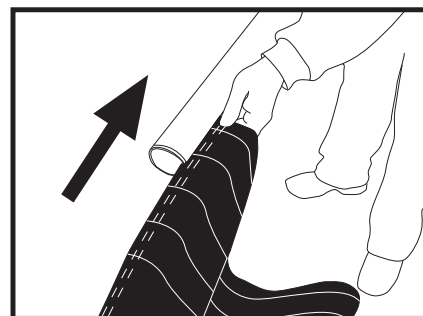
8. NOTE: Need Ideally two people to perform this task. Unroll the fabric.



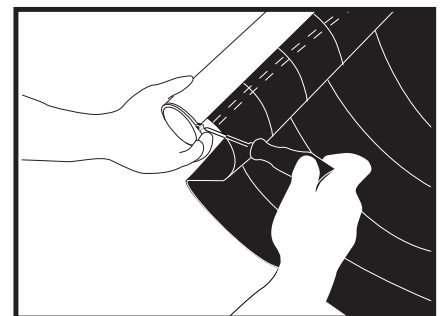
9. One more screw/bung to remove, located by the end of the fabric/roller. This keeps the fabric in place.



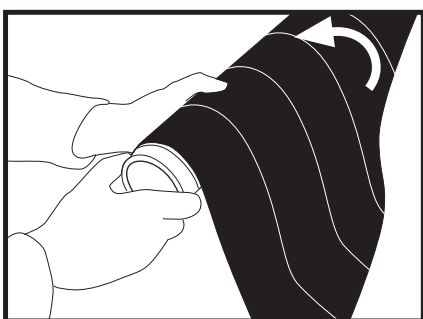
10. Slide the fabric out, one person holding the roller while the other slides the fabric.



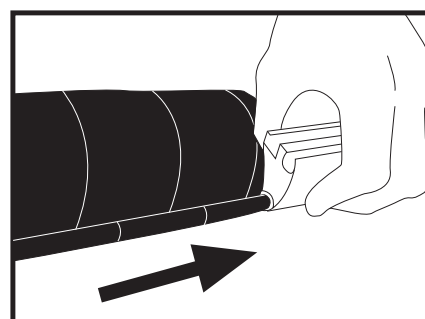
11. Replacing awning fabric cover. Slide the fabric back into the roller (find the groove)



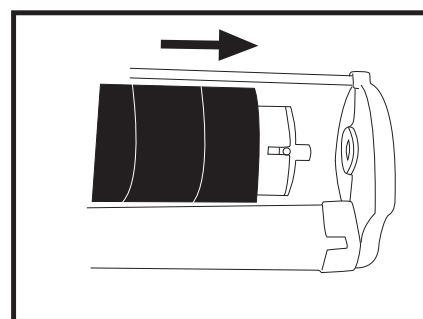
12. Tighten up the screw plug/bung.



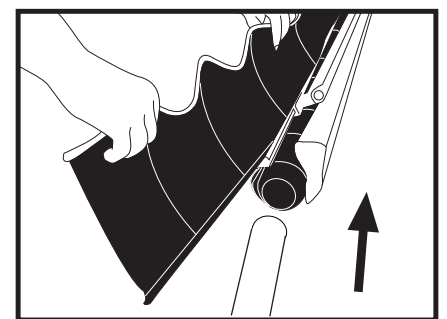
13. Carefully roll the fabric back up, making sure the fabric is aligned.



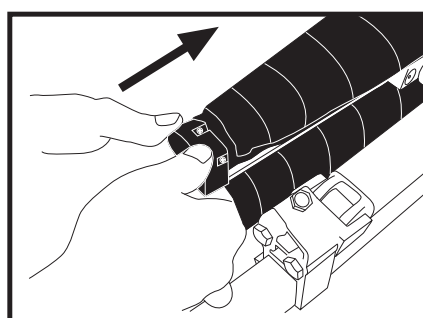
14. Once fully rolled up, slide the end of roller back into the valance bar. NOTE: Make sure the end fabric (circular part) slides into the metal (valance section)



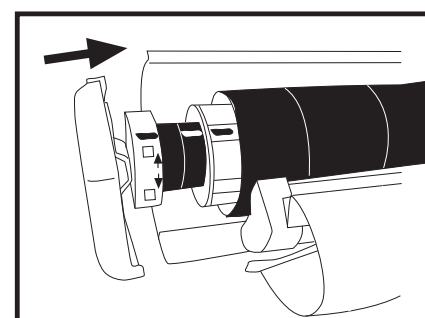
15. Slide the roller/fabric back into the frame. NOTE: Check to make sure the awning arms are still tied up so they won't get in the way.



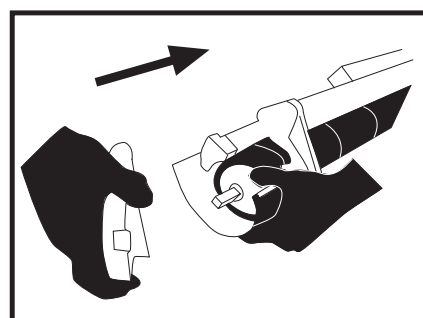
16. Slide the valance back onto the valance bar. Also insert the the motor into the roller.



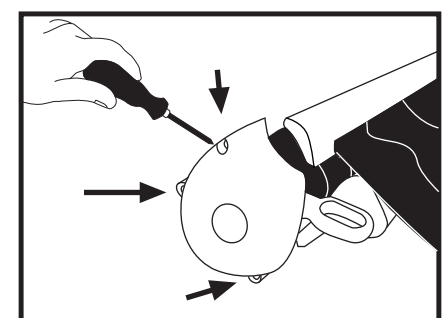
17. Tighten up two plug bung screws and put the end cap back on.



18. Remember to use the marker line as a reference to align the roller, motor and lid.



19. Install the side lid back on the side of the awning.



20. Finally, tighten up three screws.